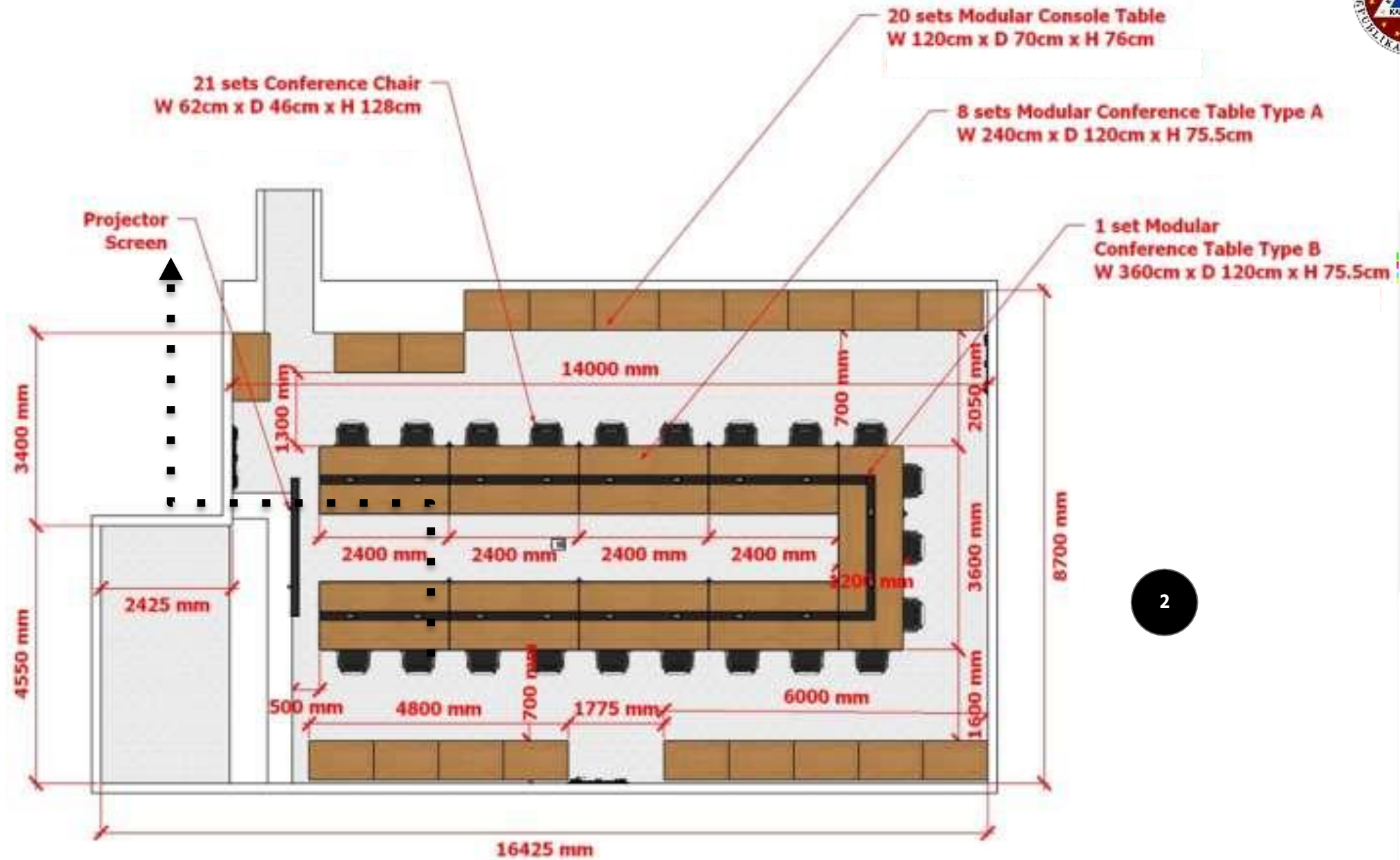




# **TABLES**

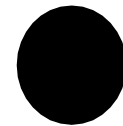
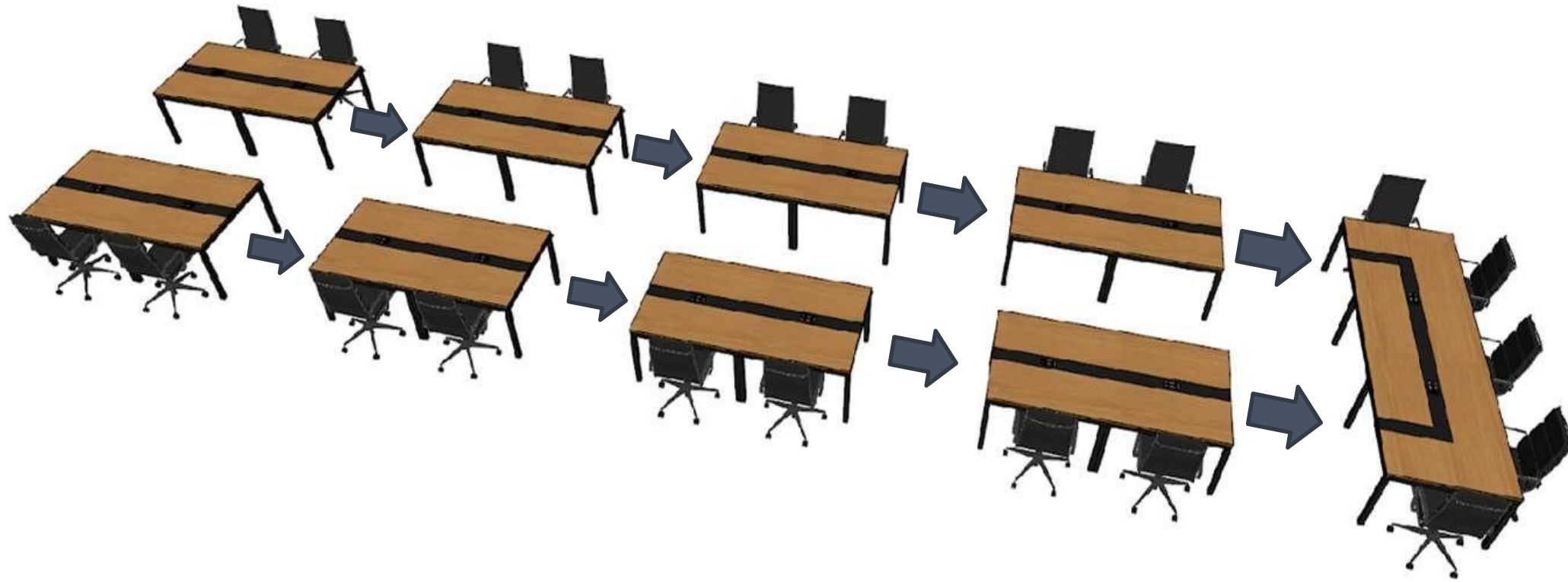
# FURNITURE FLOOR PLAN



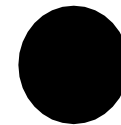
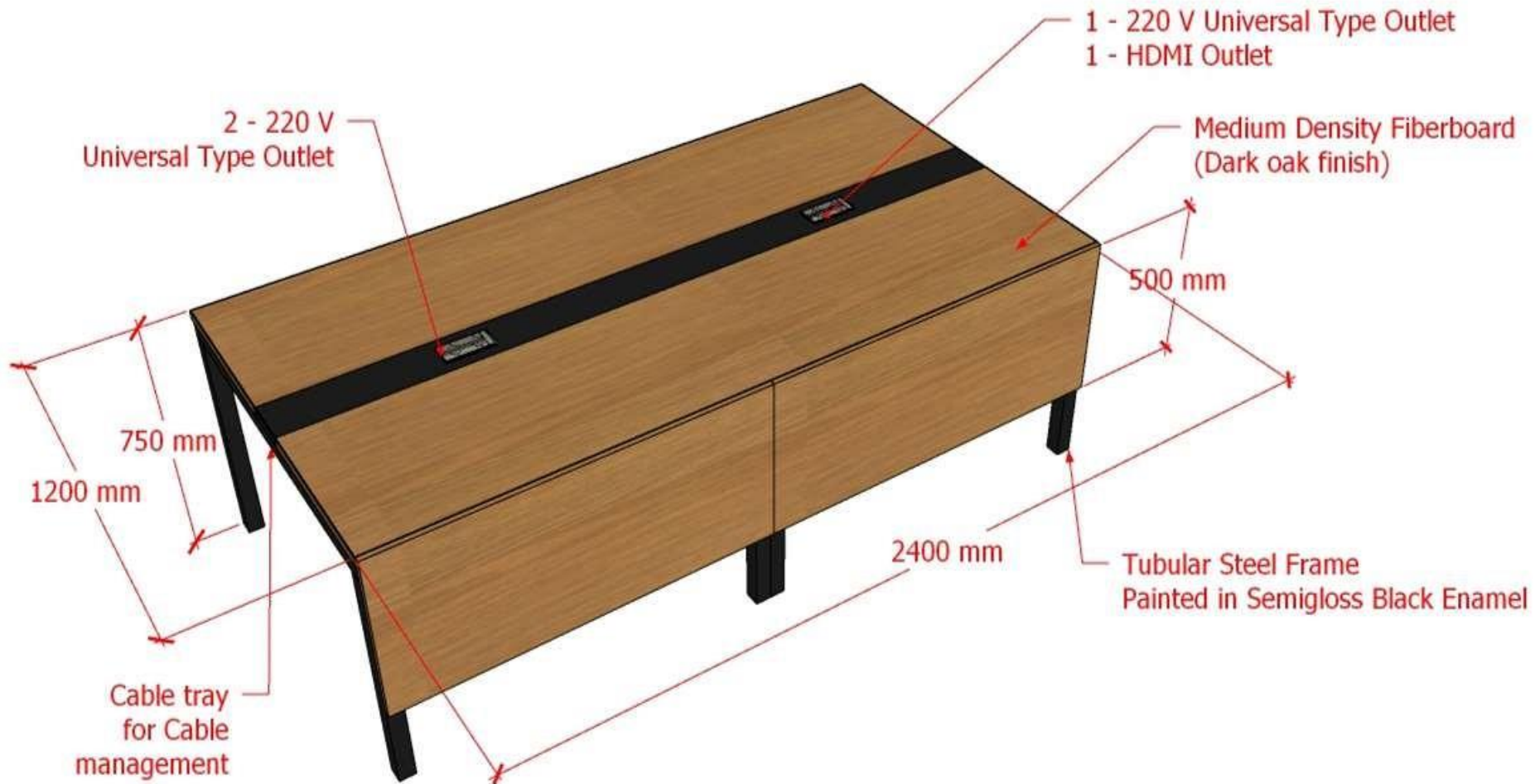
# CONFERENCE TABLE WITH CHAIRS



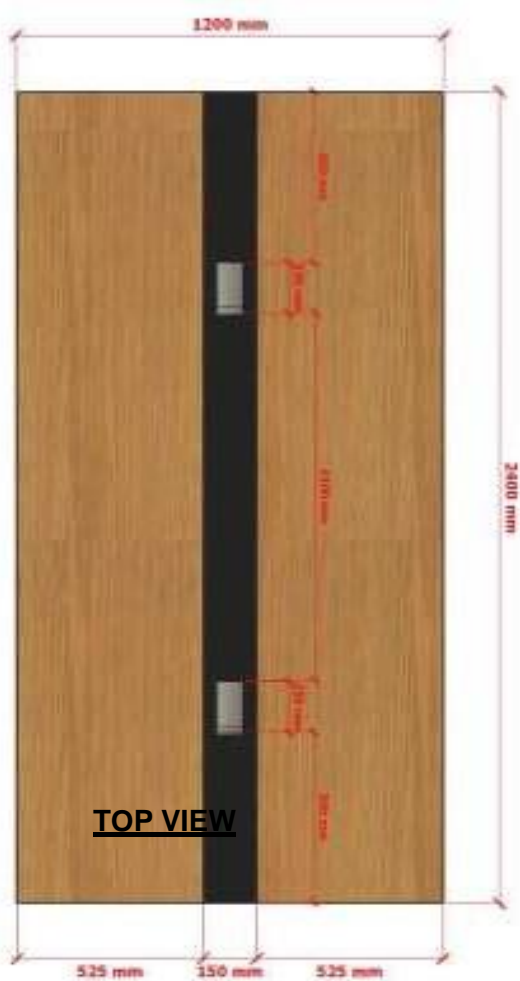
# MODULAR CONFERENCE TABLES



# PARTS OF MODULAR CONFERENCE TABLE



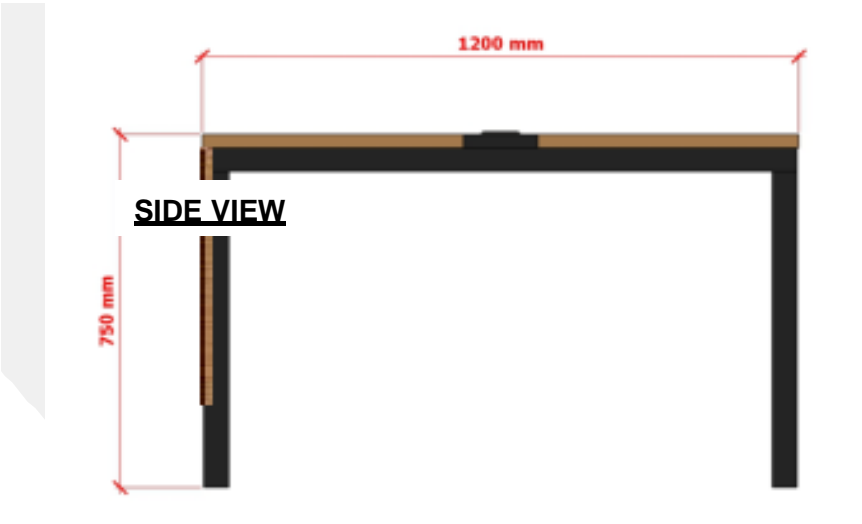
# MODULAR CONFERENCE TABLE VIEWS



**TOP VIEW**

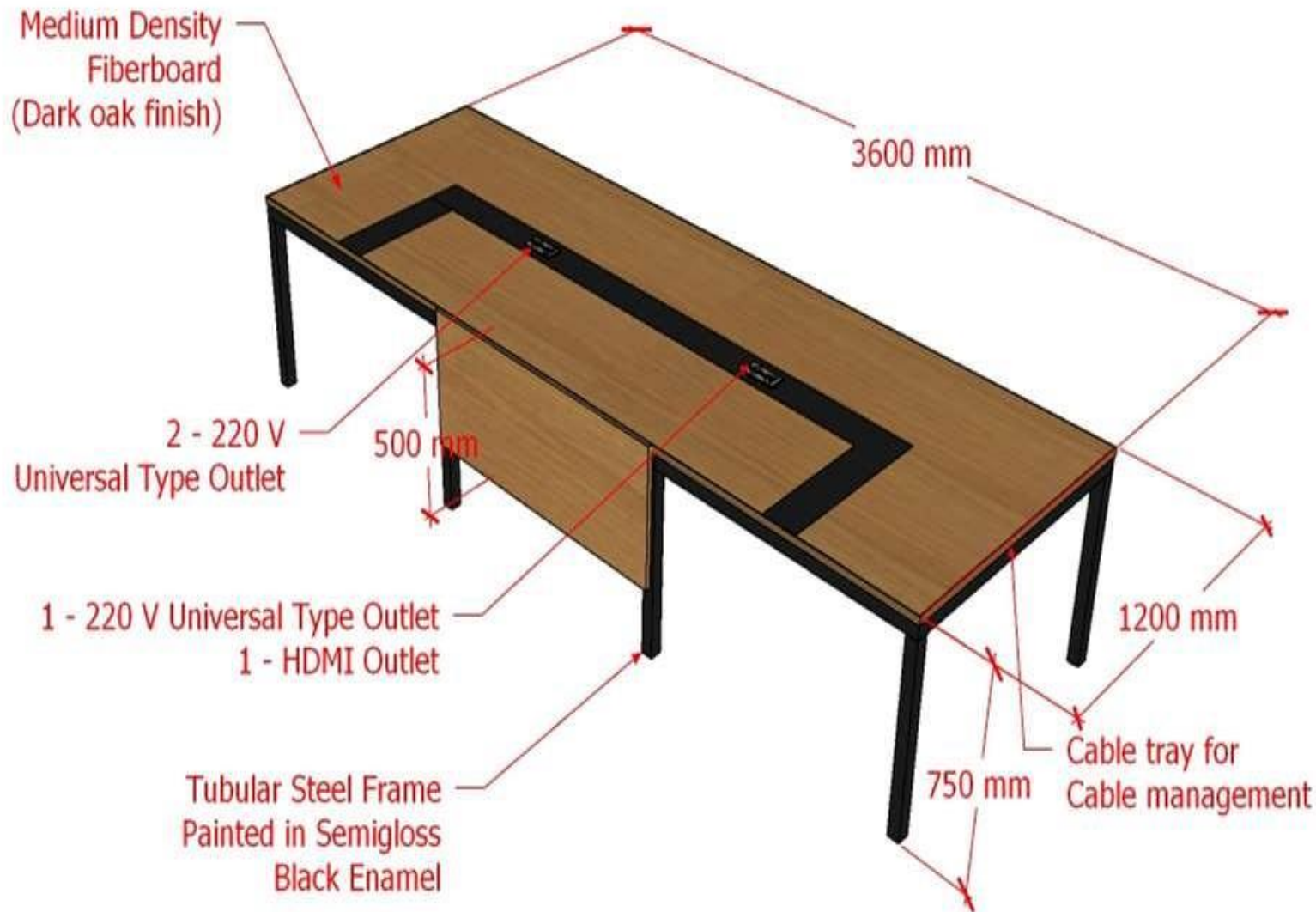


**FRONT VIEW**

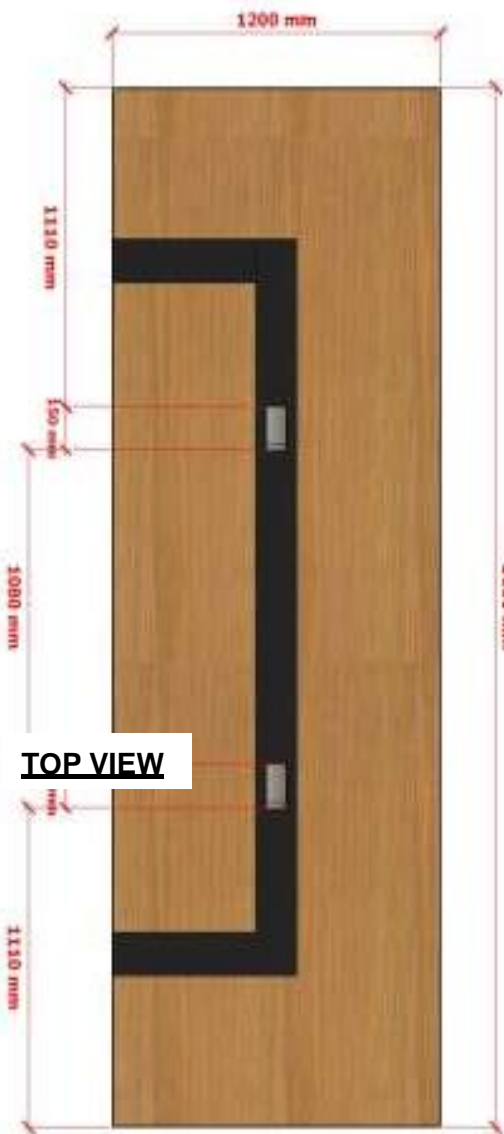


**SIDE VIEW**

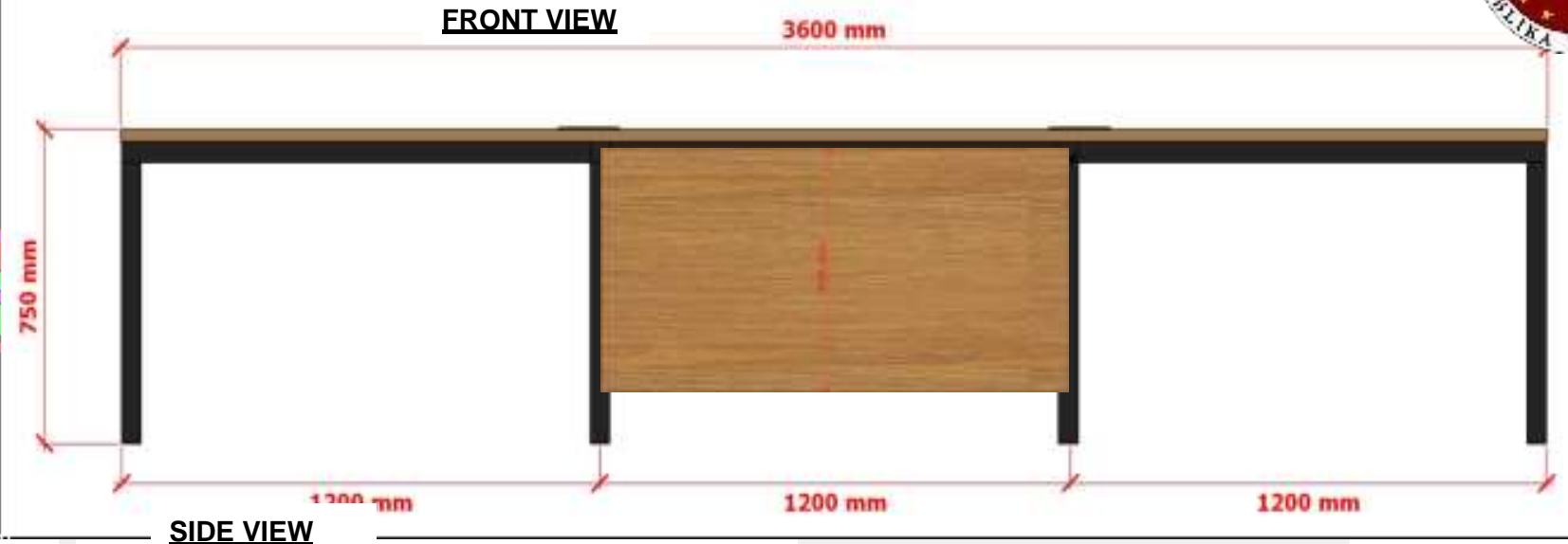
# PARTS OF MODULAR CONFERENCE TABLE (HEAD)



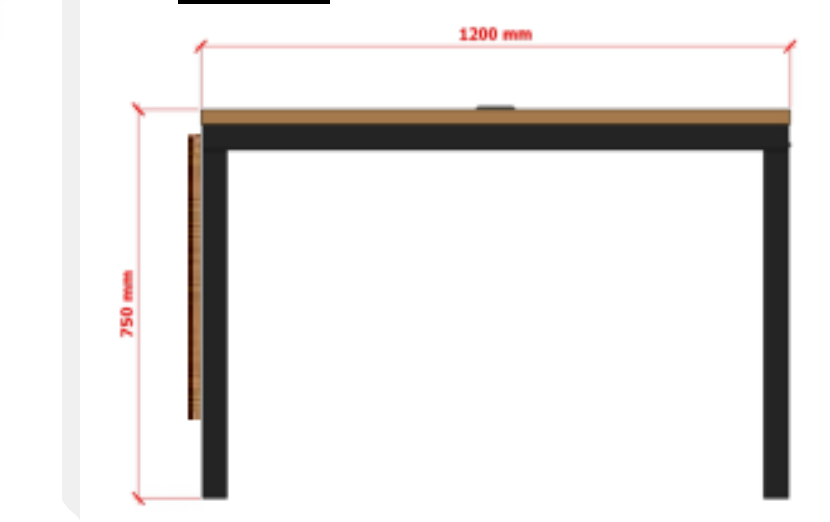
# MODULAR CONFERENCE TABLE (HEAD) VIEWS



**TOP VIEW**



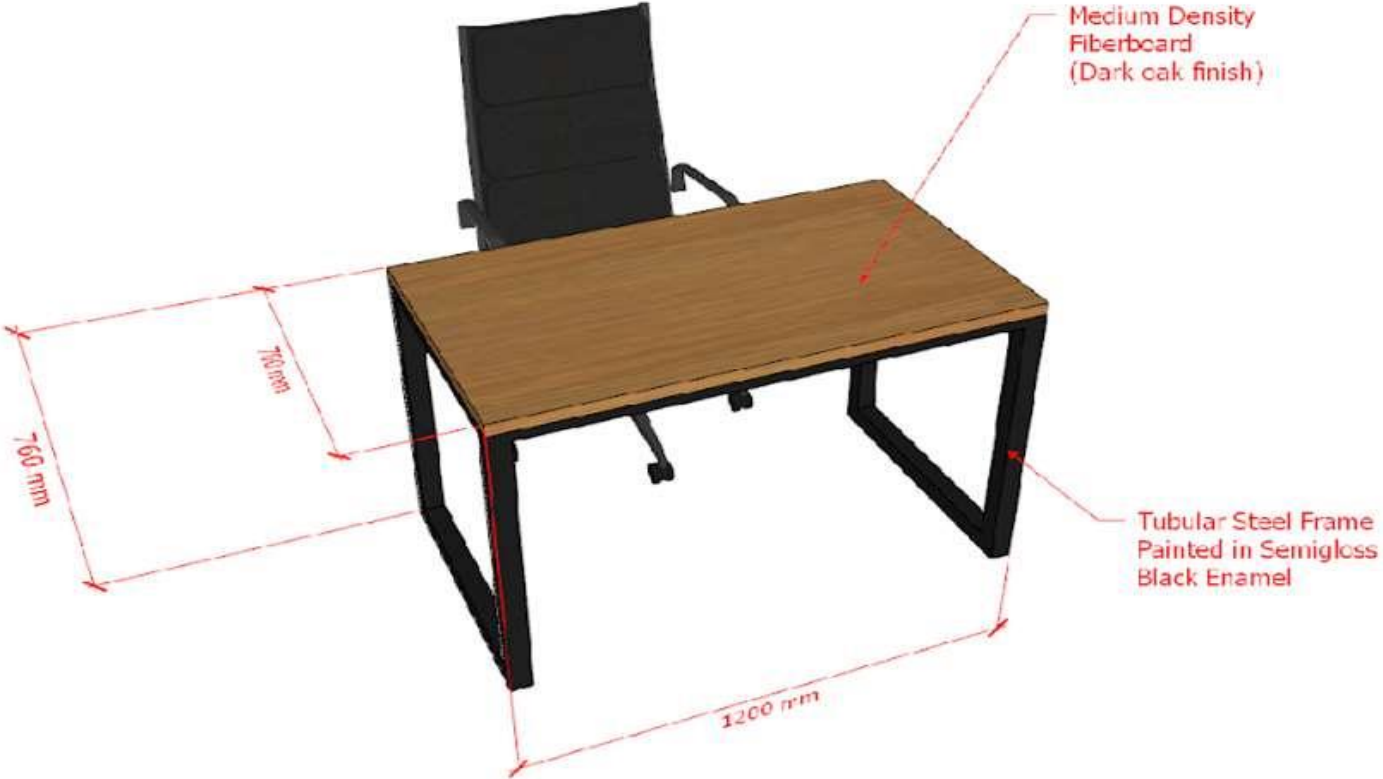
**FRONT VIEW**



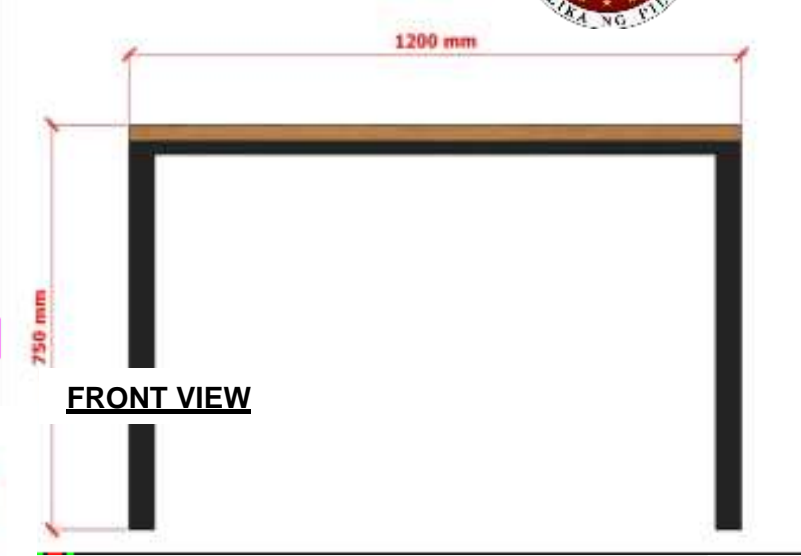
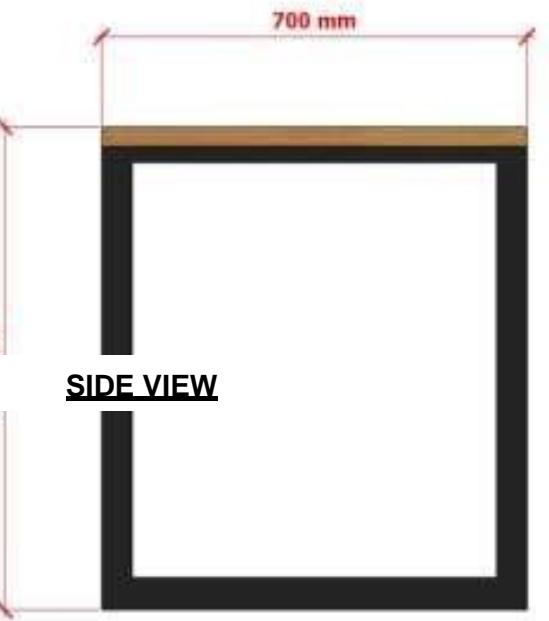
**SIDE VIEW**



# MODULAR CONSOLE TABLE(SIDE)



# MODULAR CONSOLE TABLE VIEWS





# CHAIRS

# SENIOR EXECUTIVE CHAIR



SR. EXECUTIVE CHAIR



High Back  
Leatherette (CLASS A)  
Wooden arm rest with Stainless  
frame  
Synchronized tilting mechanism  
Moulded Seat and Back Rest  
gas lift (Heavy Duty)  
chrome base (at least 65cm in  
Diameter)  
Nylon Caster (Heavy Duty)  
Aluminum  
**\*Ergonomic**



# CONFERENCE EQUIPMENT

### CONNECTION DIAGRAM

